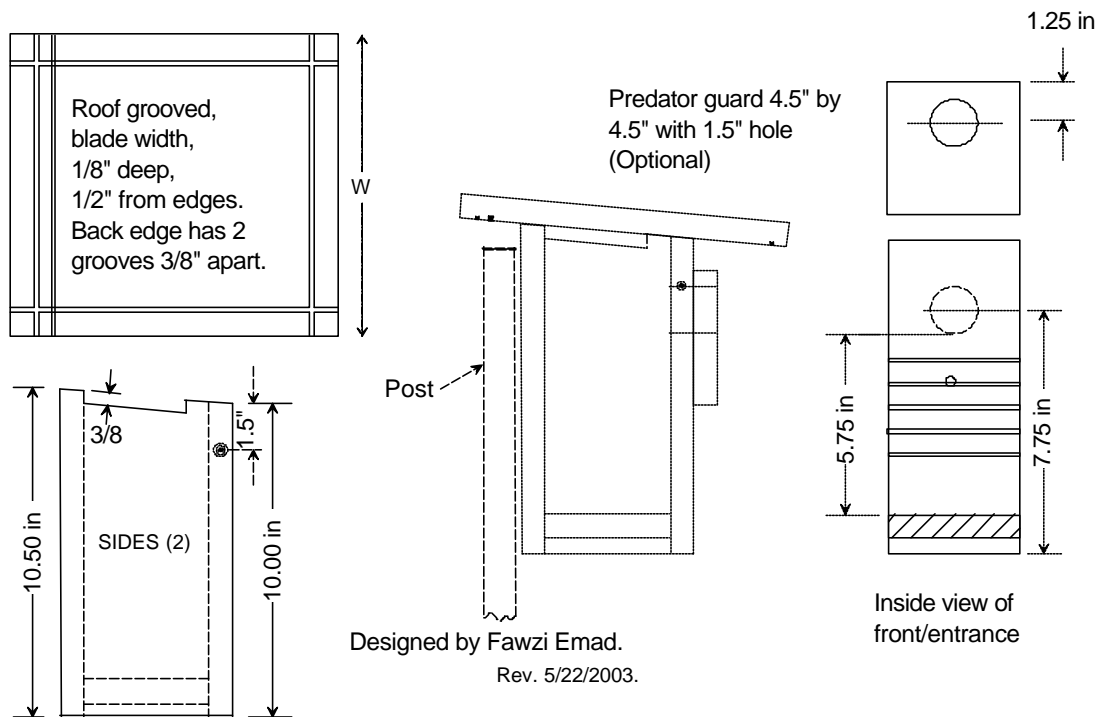


W = nominal 12". All angles at 5 deg. Floor cut at 45 deg. with 15 deg. bevel. Entrance hole 1 9/16 (or 1 1/2"), centered 2 1/4" below top edge. 1/4" hole is centered 4 1/2" below top edge. Make curf cuts inside front door! Vents in sides are 3/8" by 4 1/2", 3/4" from the back edge. Waterproof glue and nails/screws used to secure all parts. 1/4" mounting hole on back, (use 2" carriage bolt,) and two small holes, (use wire,) to attach box to metal post.



For the cut between the front and back pieces: set the miter angle to zero and the bevel angle to 5 degrees. For the cut between the two sides: set the miter angle to 5 degrees and the bevel angle to zero degrees. Cut the vents in the sides using a band saw. These cuts are about 3/8" deep and 1.5" from the front edge, 3/4" from the back edge of each side. The "hinge" screws are near the top of the front, 1.5" below the top. One screw near the bottom of the front is used to secure the front closed in place.